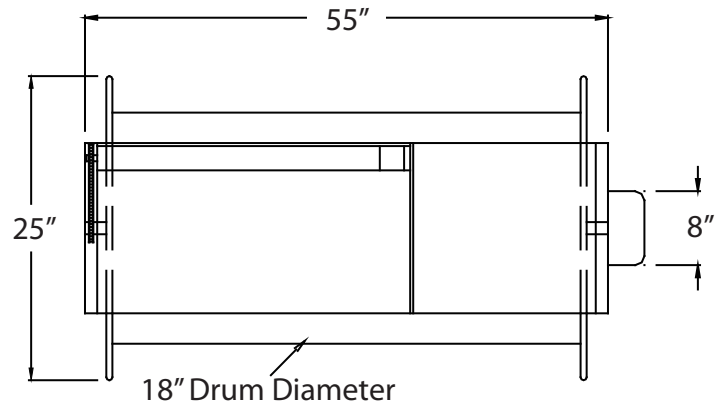
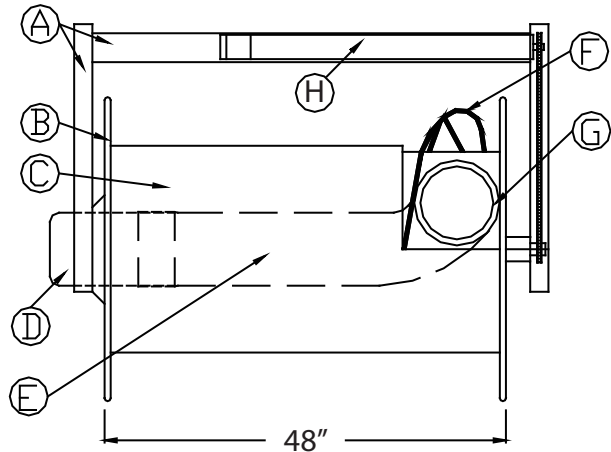
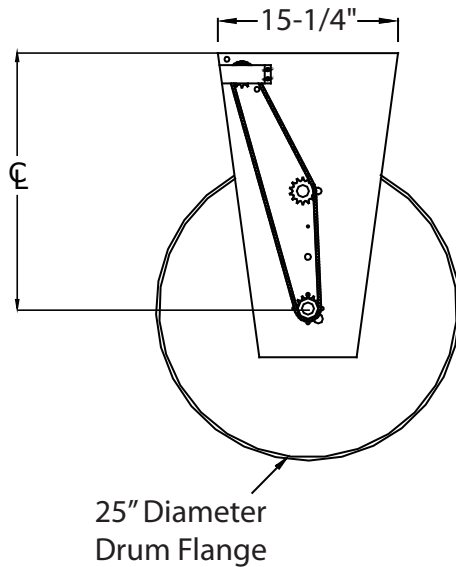


**TECHNICAL
INFORMATION**

In the interest of continuing product improvement,
we reserve the right to change models,
specifications, and/or features without prejudice.

PROJECT: _____
LOCATION: _____
ARCHITECT: _____
ENGINEER: _____
CONTRACTOR: _____
DATE: _____ SALES ENGINEER: _____



**SERIES 9000-L-TMTR
MOTOR OPERATED HOSE REEL, W/CHAIN DRIVE**

Component Listing:

- A. Heavy gauge steel support mounting frame
- B. End flange
- C. Drum assembly, 18" diameter
- D. Duct connection fitting & bearing assembly
- E. Internal hose tube, 8" diameter
- F. Hose tracking bar
- G. Hose to drum connector - 8" diameter
- H. Chain drive motor assembly

NOTE: Drum hose capacity for Series 9000-L-TMTR hose reel is as follows:

8" Diameter Hose: Up to 44' Hose Length (9000-L-TMTR with 48" Drum)

NOTE: Hose reel includes a single phase UL approved, totally enclosed, 120 V, 60 hz, 3.8 AMP, 430 Watt Motor and Chain Drive mechanism. Motor and drum to rotate at 14- RPM.

Drum capacity is listed for information only. This does not reflect the length of hose supplied on the hose reel.

NOTE: The above hose lengths are for industry standard. Hose reels can be supplied with longer lengths of hose. Please consult the factory.



Provided With: _____ Diameter _____ Feet/Hose _____ Series Hose